

# auto electrical parts

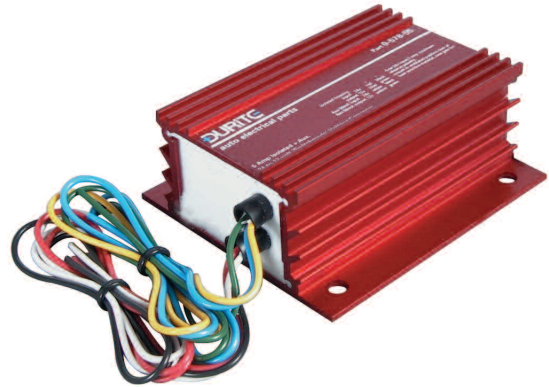
## Technical Information Sheet

### Part No. 0-578-55

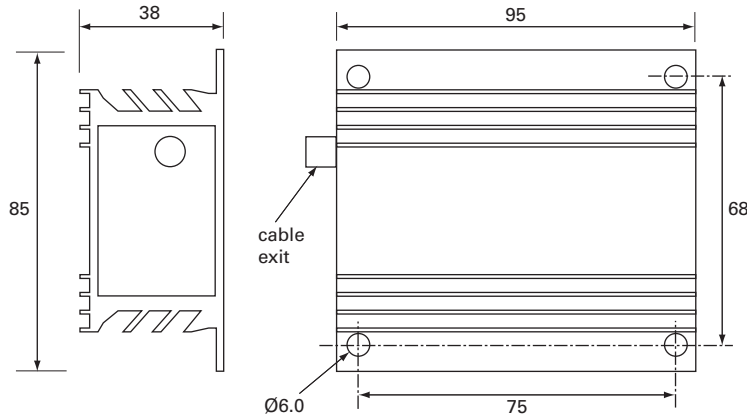
24 to 12 volt voltage converter, 5 amps continuous, 7 amps intermittent load, switch mode isolated return, with 50mA auxiliary output to power radio memories etc.

#### Additional information

- Black - Input 24 volts negative
  - Red - Input 24 volts positive (via 5 amp fuse)
  - White - Aux input permanent 24 volts positive (via 1 amp fuse)
  - Green - Output 12 volts negative
  - Blue - Output 12 volts positive
  - Yellow - Aux output 12 volts positive (50mA)
- Can be connected in parallel with up to 2 other identical voltage converters to increase output, allow for 10% reduction in maximum output when paralleled.



#### Technical Drawing (not to scale)



#### Specification

Type	Voltage converter
Input Voltage	Nominal 24 volts (20-32 volts)
Output voltage	12 volts $\pm 5\%$ (half input voltage)
Type	Switched mode isolated return with auxillary output
Load	5A continuous 6A intermittant Aux 50mA continuous 2A intermittant
Quiescent current	130mA max
Leads	200mm
Protection	Overcurrent, overheat, transients with auto reset
Operating temp	-30° to +70°C
Case	Aluminum
Encapsulation	Silicone rubber
Protection	Water resistant
Weight	400g
Dimensions	l 95 x w 85 x h 38mm
Approvals	72/245/EEC, 95/94/EC, e11

The information contained in this document is correct to the best of our knowledge at the time of printing. However, specifications may change at any time without notice.